



STANDARD EFFICIENCY RANGE of OIL BOILERS

STANDARD NON-CONDENSING RANGE



PART L COMPLIANT SEDBUK BAND C

KITCHEN

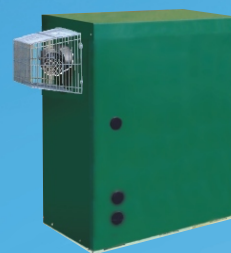
KITCHEN SYSTEM

BOILERHOUSE

COMBI

HEATPAC/SLIMPAC

COMBI PAC



FOR CONVENTIONAL AND BALANCED FLUE OPTIONS

For latest prices and delivery to your door visit MyTub Ltd - 0845 303 6383 - www.mytub.co.uk - info@mytub.co.uk



Firebird have been one of the leading manufacturers of quality, high efficiency oil boilers in Great Britain and Ireland since 1979. Our reputation for reliability, excellent levels of service and value for money has benefited many householders and engineers.

SEDBUK

You will have seen Energy Efficiency labels on many other white goods, such as washing machines, dishwashers and fridges. The SEDBUK labels have been applied to all central heating boilers. SEDBUK stands for Seasonal Efficiency of Domestic Boilers in the UK. It is a scheme developed by the government to enable the consumer to choose an appliance for it's energy rating.

GUARANTEED FOR PARTS & LABOUR All Firebird Boilers have a comprehensive **2 year parts and labour guarantee**. Our distinctive heat exchanger is covered by a **5 year guarantee**, subject to the boiler being installed to Firebird Instructions (Copy supplied with every boiler). All boilers must be commissioned, and on completion of the installation, the guarantee registration form must be returned to Firebird UK within 30 days.

GRADE OF FUEL All Firebird boilers are factory set to use Kerosene oil (Class 2). Gas oil (Class D) can be used providing the burner is commissioned on site, and the boiler is connected to a conventional flue. Heat Pac outdoor models are not recommended for use with Gas oil.

ACCREDITATION All Firebird boilers are designed to comply with European Efficiency Directive covered by Oftec Standards OFS A 100 (EN303 Part 4). All of our products are manufactured to ISO 9002. Approved Oftec member.



Sedbuk Band Ratings



Quality Assured Manufacturer ISO 9002



Approved OFTEC Manufacture Member

COMPLETE AFTER-SALES SERVICE Firebird has always strived to provide our customers with the highest levels of after sales care. Firebird boilers are supported by a nationwide association of independent service engineers, who are regularly trained on our appliances, but in the unfortunate event of a problem occurring, you should contact our after-sales department on **01752 691177**

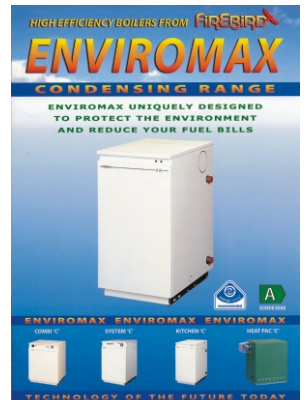
Contents:

- 2** Introduction & Publications
- 3** Kitchen S & Boilerhouse Range
- 4** Kitchen System Range
- 5** Internal Combi Range
- 6** Heat Pac Range
- 7** Heat Pac Combi Range
- 8** High Level and Vertical Flue Specifications & Accreditations

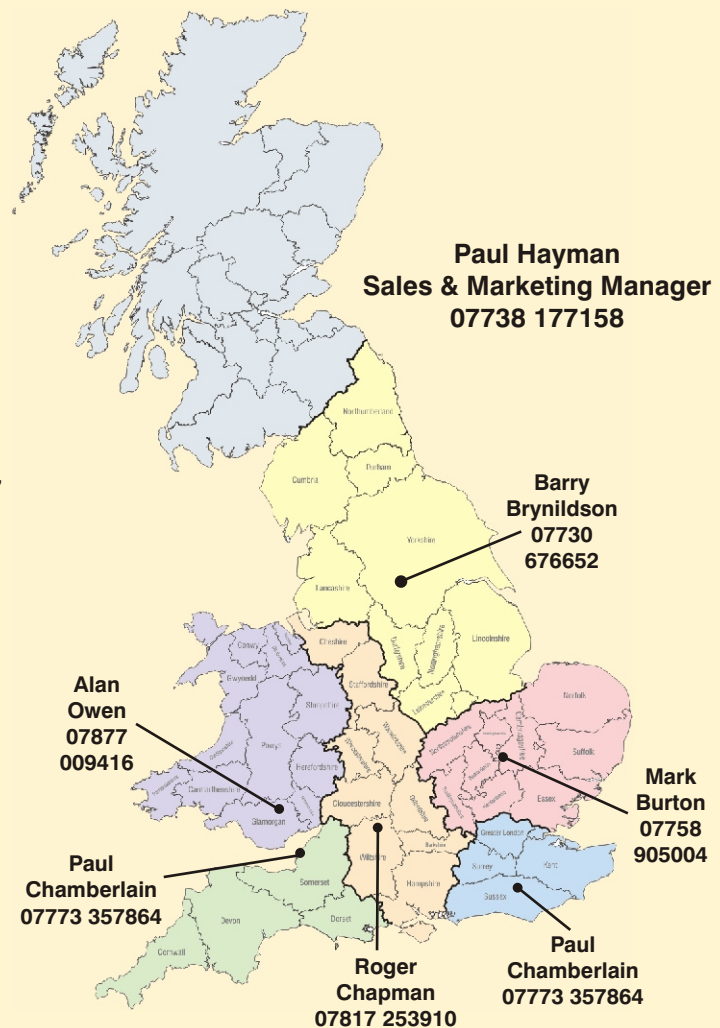
Enviromax Product Range

Firebird UK manufacture a quality range of SEDBUK A Rated condensing oil boilers

Please contact your local regional sales manager or sales department on 01752 691177 or via our popular web site www.firebirduk.co.uk.



SALES TERRITORY REGIONAL SALES MANAGERS



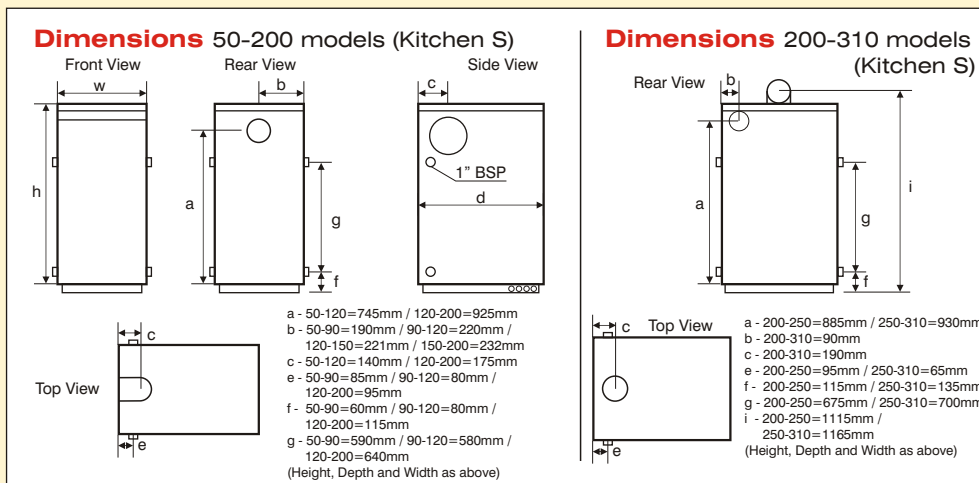
KITCHEN & BOILERHOUSE RANGE



SEDBUK BAND
Part L
Compliant

Output Range (kW/hr)	Product Code	height	width	depth
Kitchen 50/70 white case	WHT070RSS	845mm	380mm	595mm
Kitchen 70/90 white case	WHT090RSS	845mm	380mm	595mm
Kitchen 90/120 white case	WHT120RSS	840mm	440mm	595mm
Kitchen 120/150 white case	WHT150RSS	1050mm	442mm	705mm
Kitchen 150/200 white case	WHT200RSS	1055mm	462mm	790mm
Kitchen 200/250 white case	WHT250RSS	960mm	510mm	820mm
Kitchen 250/310 white case	WHT310RSS	1015mm	580mm	945mm
Output Range (kW/hr)	Product Code	height*	width*	depth*
Boilerhouse 50/70	POP070RDB	690mm	395mm	355mm
Boilerhouse 70/90	POP090RDB	690mm	390mm	355mm
Boilerhouse 90/120	POP120RDB	740mm	450mm	355mm
Boilerhouse 120/150	POP150RDB	855mm	460mm	415mm
Boilerhouse 150/200	POP200RDB	860mm	470mm	495mm
Boilerhouse 200/250	POP250RDB	860mm	520mm	545mm
Boilerhouse 250/310	POP310RDB	920mm	575mm	660mm

*Allow an extra 200mm for burner on 50-120 and 280mm on 150-310 ranges.



Benefits of a Firebird Kitchen or Boilerhouse:

- Part L compliant Sedbuk Band C
- Flexible output which can be adjusted to match actual heating requirements within its output range
- Kitchen S can be installed under a standard worktop only 845mm high and up to 120,000 Btu's
- Front access for ease of servicing
- High level and vertical concentric balanced flue kits (Up to 200,000 Btu)
- Conventional flue or room sealed multi-directional up to 310,000 Btu's (Low level only) Concentric flue up to 200,000 Btu's - 310,000 Btu's twin pipe balanced flue
- Fully insulated and acoustically designed for quiet operation
- Quality assured to ISO 9002. Approved Oftec member
- Riello RDB burners across the range
- Extra large sight glass for ease of checking flame
- Mains-on and lock-out indicator lights as standard (Kitchen S only)
- 2 year comprehensive warranty which extends to 5 years on the boiler shell
- Can be installed on a sealed system

KITCHEN SYSTEM RANGE



SEDBUK BAND
Part L
Compliant



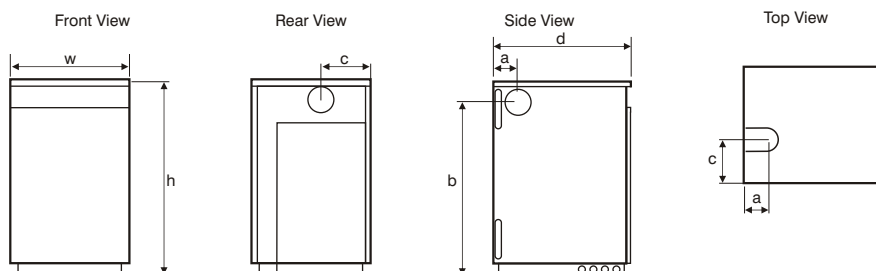
Benefits of a Firebird system boiler:

- Part L compliant Sedbuk Band C
- Recommended for use with Excelstor range of unvented cylinders
- Flexible output which can be adjusted to match actual heating requirements within it's output range
- Simplified pipework layout. Front service access to all main components
- Fully insulated and acoustically designed for ultra quiet operation
- No time-wasting attic pipework
- Riello RDB burner as standard
- Grundfoss pump as standard
- System boiler comprises of expansion vessel, filling loop with isolation valves, circulation pump, automatic air vent, pressure gauge and pressure relief valve.
- 2 year comprehensive warranty which extends to 5 years on the boiler shell

Output Range (kW/hr)	Product Code	height*	width*	depth*
System 50/70 white case	SSB070000	840mm	505mm	600mm
System 70/90 white case	SSB090000	840mm	505mm	600mm
System 90/120 white case	SSB120000	840mm	545mm	600mm
System 120/150 white case	SSB156000	1050mm	560mm	705mm

*Additional expansion vessel may be required depending on system water volume.

Dimensions



a - 50-120=155mm / 120-150=175mm b - 50-120=735mm / 120-150=930mm
c - 50-90=190mm / 90-120=220mm/ 120-150=225mm

(Height, Depth and Width as above)



COMBI INTERNAL RANGE



Benefits of a Firebird combi:

- Part L compliant Sedbuk Band C
- Only 840mm high allows the boiler to be fitted under work surface and provides front service access.
- Mains pressure hot water at the turn of a tap
- Rapid re-heat after hot water draw-off
- Simplified pipework layout. Front service access to all main components
- Fully insulated and acoustically designed for ultra quiet operation
- Independent control for hot water and heating
- Twin pump operation (Grundfos pumps)
- Thermostatic blending valve
- Low pressure switch
- Integral filling loop
- Riello RDB 2.2 burners as standard
- Isolation valves connected to mains feed and heating flow and return internal connections
- 2 year comprehensive warranty which extends to 5 years on the boiler shell
- Integral programmer as optional extra (Code CTTKIT)



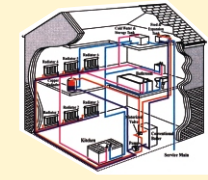
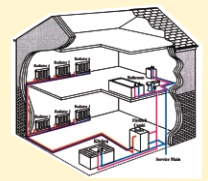
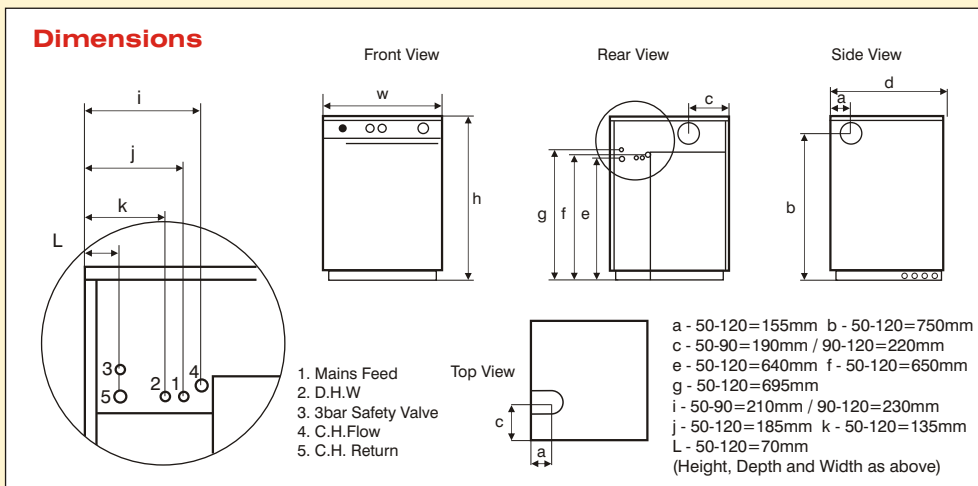
SEDBUK BAND
Part L
Compliant

Output Range (kW/hr)	Product Code	height*	width*	depth*
Combi 50/70 white case	COM070NOT	840mm	610mm	600mm
Combi 70/90 white case	COM090NOT	840mm	610mm	600mm
Combi 90/120 white case	COM120NOT	840mm	670mm	600mm

*Additional expansion vessel may be required depending on system water volume.
We recommend scale reducing for water over 150-200 ppm

Mains Water Pressure

Minimum 2.5 bar (36 psi)
Maximum 10 bar (145 psi)



— Domestic Cold Feed — Central Heating Cold
— Domestic Hot — Central Heating Hot

HEATPAC OUTDOOR RANGE



Heat Pac full range features:

- Part L compliant Sedbuk Band C
- Designed for ease of installation
- Recommended for use with Excelstor range of unvented cylinders
- Quality assured to ISO 9002. Approved Oftec member
- Riello RDB burners
- Frost Stat factory fitted 5° set
- 2 year comprehensive warranty which extends to 5 years on the boiler shell
- Multi directional flue
- Manufactured sealed system slimline heat pac
- High quality external PVC coated outer casing making the Heat Pac range an ideal where floor and wall space is at a premium inside the dwelling
- Stainless steel terminal guard
- Both outer casing and boiler are fully insulated
- Easy access to boiler and fittings for service



SEDBUK BAND
Part L
Compliant



Output Range (kW/hr)	Product Code	height*	width*	depth*	Colour
Slimline Heat Pac 50/70	HPK070GLM	925mm	760mm	410mm	Green
Slimline Heat Pac 70/90	HPK090GLM	925mm	760mm	410mm	Green
Slimline Heat Pac 90/120	HPK120GLM	925mm	760mm	470mm	Green
Heat Pac 120/150	HPK150GPS	1010mm	720mm	735mm	Galv
Heat Pac 150/200	HPK200GPK	1225mm	895mm	860mm	Galv
Heat Pac 200/250	HPK250GPK	860mm	895mm	1025mm	Galv
Heat Pac 250/310	HPK310GPK	960mm	950mm	1125mm	Galv
System Range:					
Slimline Heat Pac 50/70	SSB070GLM	925mm	760mm	410mm	Green
Slimline Heat Pac 70/90	SSB090GLM	925mm	760mm	410mm	Green
Slimline Heat Pac 90/120	SSB120GLM	925mm	760mm	470mm	Green
Heat Pac 120/150	SSB150SLM	1010mm	720mm	735mm	Galv

*Additional expansion vessel may be required depending on system water volume.

NB: A four-core and earth cable is required to provide a permanent live for the frost stat.
Heat Pac 70/90 & 90/120 available with turret on request.

Dimensions Heat Pac Outdoor

Height (h), width (w) and depth (d) as above.

a - 70-200=170mm / 200-250=160mm / 250-310=230mm

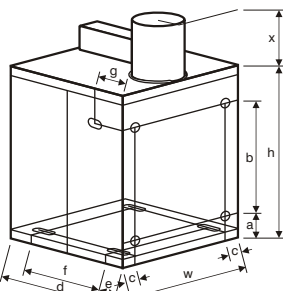
b - 70-120=575mm / 120-200=640mm / 200-250=655mm / 250-310=700mm

c - 70-120=120mm / 120-150=80mm / 150-310=90mm

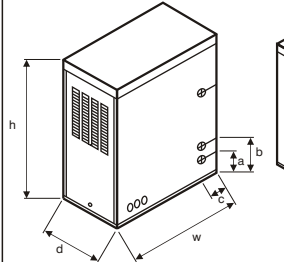
e - 70-120=100mm / 120-150=180mm / 150-200=135mm / 250-310=100mm

f - 70-120=420mm / 120-150=475mm / 150-200=590mm / 200-250=630mm / 250-310=730mm

g - 70-120=175mm / 120-200=85mm / 200-250=105mm / 250-310=100mm

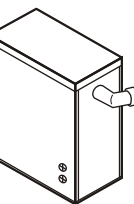


Dimensions Slimline/System



Height (h), width (w) and depth (d) as above.

a - 70-200=170mm / 200-250=160mm / 250-310=230mm
b - 70-120=575mm / 120-200=640mm / 200-250=655mm / 250-310=700mm
c - 70-120=120mm / 120-150=80mm / 150-310=90mm
e - 70-120=100mm / 120-150=180mm / 150-200=135mm / 200-310=100
f - 70-120=420mm / 120-150=475mm / 150-200=590mm / 200-250=630mm / 250-310=730mm
g - 70-120=175mm / 120-200=85mm / 200-250=105mm / 250-310=100mm



Removable lid to Access Plumbing Connections

- Fully rotational Stainless Steel Flue from 120-310,000 Btu's



HEATPAC OUTDOOR COMBI RANGE



Benefits of a Heat Pac range:

- Part L compliant Sedbuk Band C
- Designed for ease of installation
- Riello RDB burners
- Frost Stat factory fitted 5° set
- 2 year comprehensive warranty which extends to 5 years on the boiler shell
- Independent control for hot water and heating
- Twin pump operation
- Thermostatic blending valve
- Low pressure switch
- Manufactured sealed system slimline heat pac
- High quality external PVC coated outer casing making the Heat Pac range an ideal where floor and wall space is at a premium inside the dwelling
- Stainless steel terminal guard
- Both outer casing and boiler are fully insulated
- Easy access to boiler and fittings for service
- Integral Filling Loop
- Multi-directional flue



SEDBUK BAND
Part L
Compliant

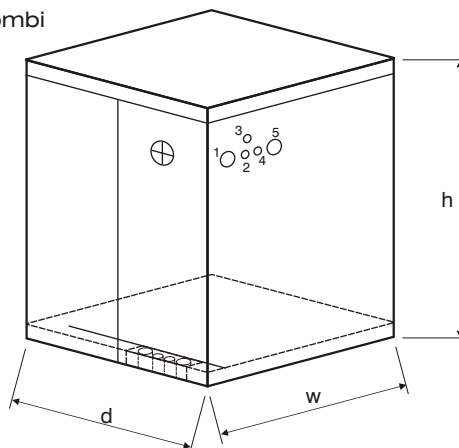
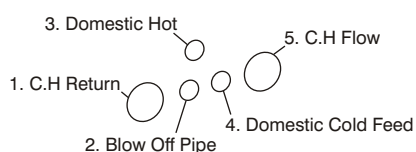
Output Range (kW/hr)	Product Code	height*	width*	depth*	Colour
Heatpac Combi 70	COM070GPK	945mm	655mm	625mm	Green
Heatpac Combi 90	COM090GPK	945mm	655mm	625mm	Green
Heatpac Combi 120	COM120GPK	945mm	705mm	625mm	Green

*Additional expansion vessel may be required depending on system water volume.
We recommend scale reducing for water over 150-200 ppm

Mains Water Pressure

Minimum 2.5 bar (36 psi)
Maximum 10 bar (145 psi)

Dimensions Heat Pac Outdoor Combi



VERTICAL KIT CONTENTS

Product codes: VT120/VT200

Please note:

Maximum flue length 6 metres 50-70
 6 metres 70-90
 5 metres 90-120
 6 metres 120-150
 6 metres 150-200

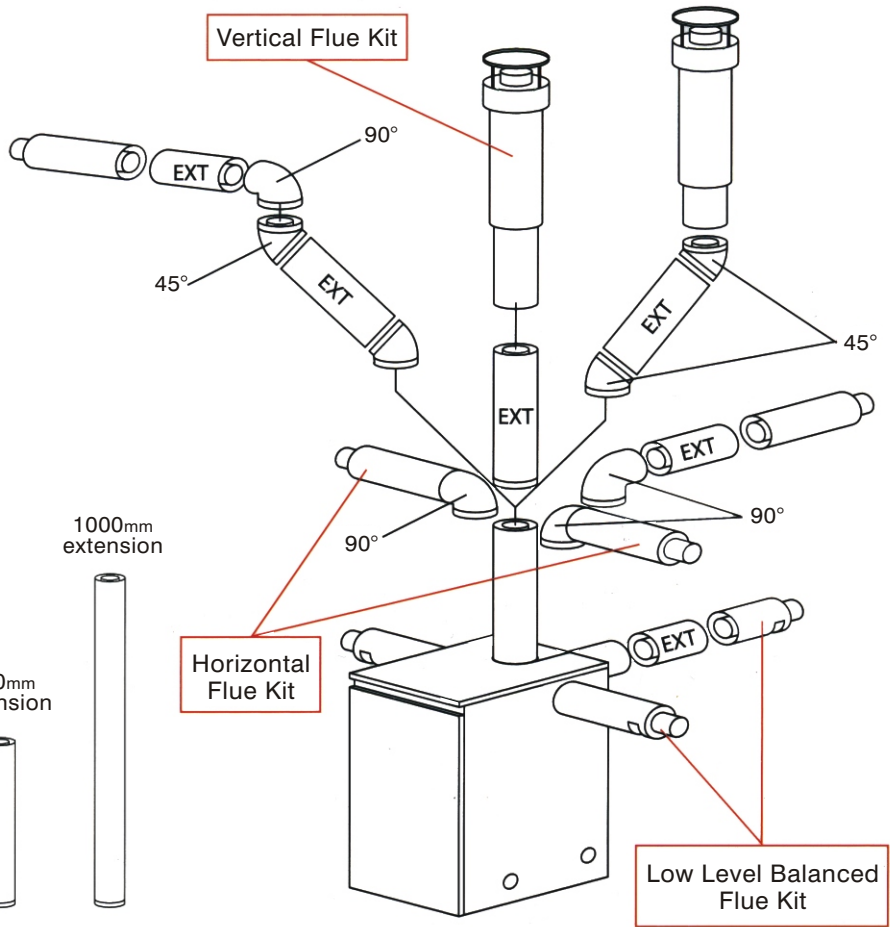
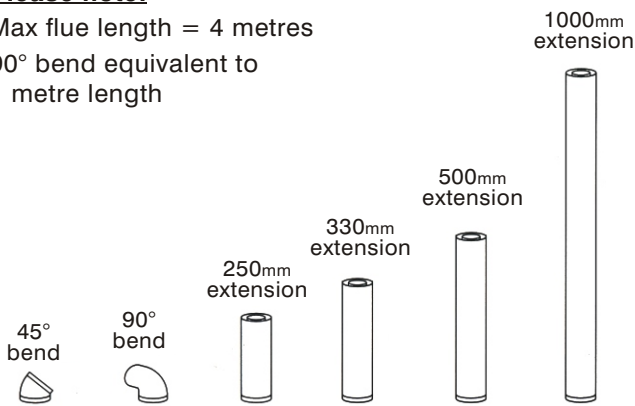
Overall length must take into account
 45° bend = 500mm length

HIGH LEVEL KIT CONTENTS

Product codes: HL50120/HL120200

Please note:

Max flue length = 4 metres
 90° bend equivalent to
 1 metre length



For further information on all Firebird products please contact:

East Central House, Central Avenue, Lee Mill Industrial Estate,

Ivybridge, Devon PL21 9PE

t: 01752 691177 f: 01752 691131

www.firebirduk.co.uk info@firebirdboilers.co.uk



Sedbuk Band Ratings



Quality Assured Manufacturer ISO 9002



Approved OFTEC Manufacture Member



Photographs, Illustrations & Specifications. This catalogue was correct at the time of going to print. However, Firebird's policy is one of continuous development. The right is reserved to change specifications, colour, and prices of the models and items illustrated and described in this publication at any time. Whilst every care has been exercised in the production of this catalogue, Firebird cannot accept any liability for errors or omissions. For the latest details always consult Firebird. Revision 1. © 1/11/2006